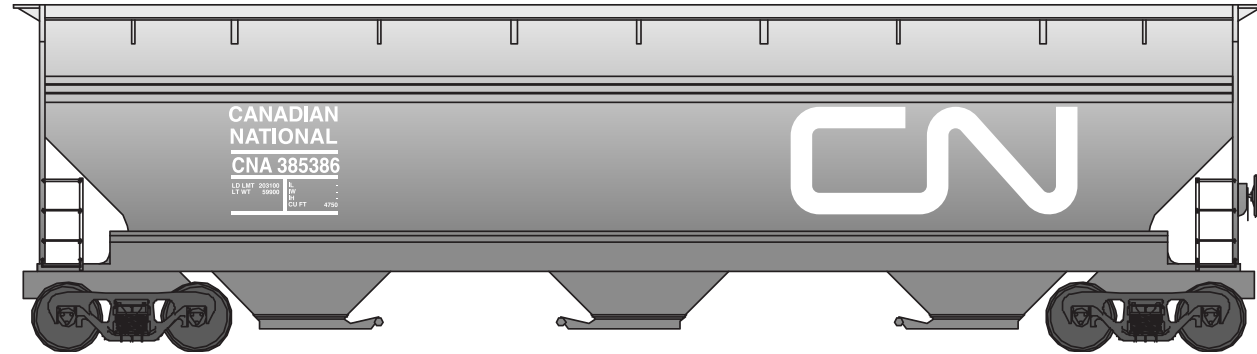


METALS AND MINERALS

Minerals

CN operates a wide range of covered hoppers to meet the needs of industry. These cars combine ease of loading and unloading with maximum protection from the elements.



46' 0" TRUCK CENTERS
 55' 0" END SILLS
 56' 4-1/2" STRIKERS
 59' 0" COUPLERS

LOW-CUBE COVERED HOPPER

| Car Description | Car Series | Load | | Capacity | | Outside Dimensions | |
|--|-----------------------|---------|--------|-------------|----------------|--------------------|--------|
| | | Tons | Tonnes | Cu. Ft. | m ³ | Length | Width |
| Low and High-Cube Covered Hopper These cars are used when shipping high-density products such as alumina, cement and aggregates. | CNLX 5001-10933 | 100-114 | 91-103 | 3,800-3,850 | 108-109 | 53' 9" - 59' | 10' 8" |
| | CN/CNIS 368000-369997 | 100-113 | 91-103 | 3,800 | 108 | 55' 1" | 10' 8" |
| | CN 370005-372117 | 100-113 | 91-103 | 3,800-3,850 | 108-109 | 53' 9" - 55' 1" | 10' 8" |
| | CNIS 376000-376299 | 101 | 92 | 4,550 | 129 | 59' 0" | 10' 8" |
| | CN/CNIS 377000-379496 | 99-112 | 90-102 | 4,350 | 123 | 59' 0" | 10' 8" |